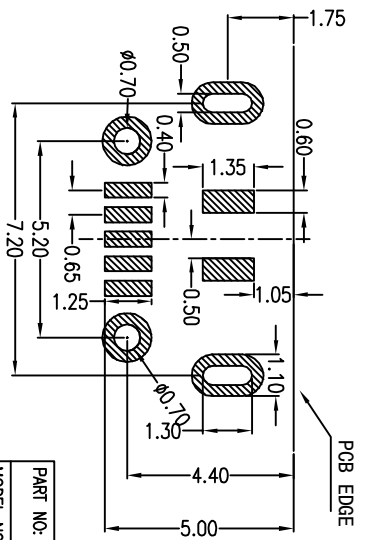
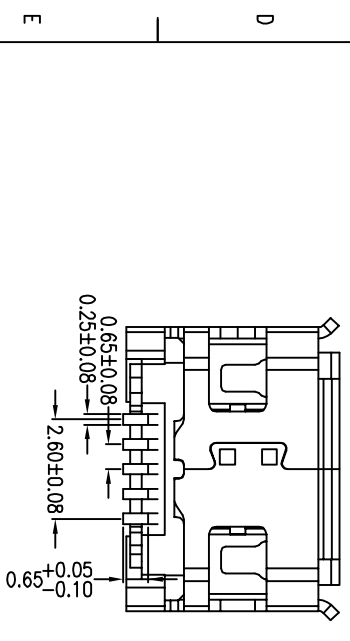
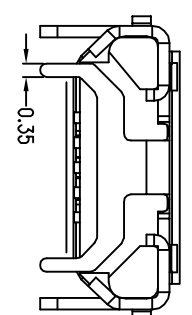
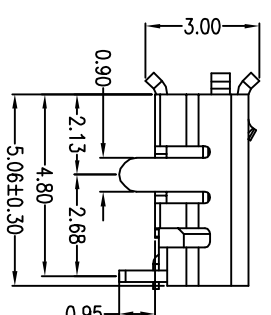
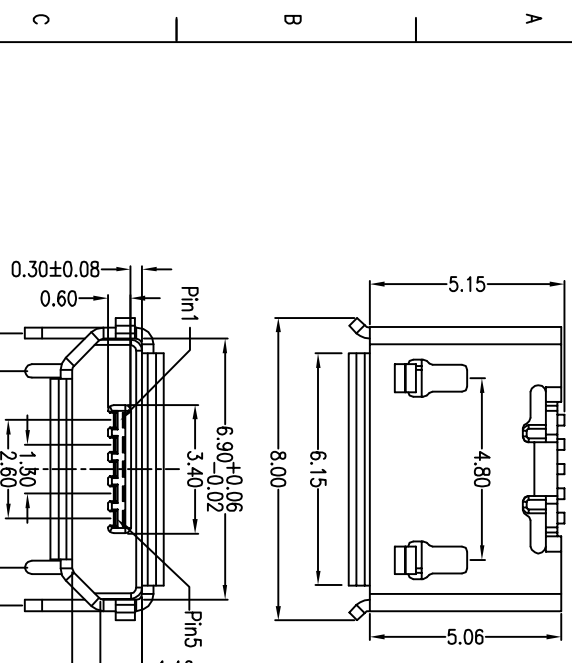
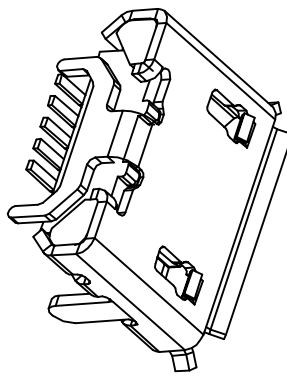


REV.	ECH NO	LOCATIONS	DESCRIPTION	DATE



PCB图仅供参考

- Note:
1. Material:
- 1.1 Housing: High temperature thermoplastic with g.f, UL94V-0
 - 1.2 Contact: copper alloy, t=0.15mm
 - 1.3 Shell: copper alloy, t=0.30mm
2. Specification:
- 2.1 Current rating: 1.5PIN 1.8A Max/2,3,4PIN 1A Max
 - 2.2 Dielectric withstanding voltage: 100 V(ac) for 1 min.
 - 2.3 Contact resistance: 30 mΩ Max.
 - 2.4 Insulation resistance: 100 MΩ Min.
 - 2.5 Total mating force: 3.57 Kgf Max.
 - 2.6 Total unmating force: 1.0 Kgf Min.
 - 2.7 Temperature range: 30°C~80°C

- A 01 S B X X X X X X X X X X X X**
- ① ② ③ ④ ⑤ ⑥ ⑦ ⑧ ⑨ ⑩ ⑪
- 外壳材料
1: COBBOR+H
①
- 外壳电镀
1: Ni100u''
2: 雾Ti100u''
3: Au10u'' (脚)
4: Au1u''
②
- 端子电镀
01: Au1u'' ; 02: Au1.5u'' ; 03: Au60u''
05: Au50u'' ; 10: Au100u'' ; 15: Au150u'' ; 30: Au300u''
③
- 主体颜色 B: 黑色
④
- 主体材料 1: LCP
⑤
- 端子材料 4: QS191R-EH
⑥

PART NO: A01SBXXXXXXX-309		MATERIAL: SEE NOTE	
MODEL NO: XX		FINISH: SEE NOTE	
UNIT: MM	SIZE: A4	COLOR: SEE NOTE	
TOLERANCE UNSPECIFIED		DR: xiyoulong	
.x	0.15	CHK:	
.xx	0.10	APP:	
.xxx	0.05	SCALE: 5:1	
Ang.	↑	DATE: 2012.05.02	

TITLE: MINDO USB S B TYPE 四脚全插牛角型7.2/5.2张短针

DWG NO: SHK-20037.1.5.2.1

REV: A

深圳市虹康科技有限公司

